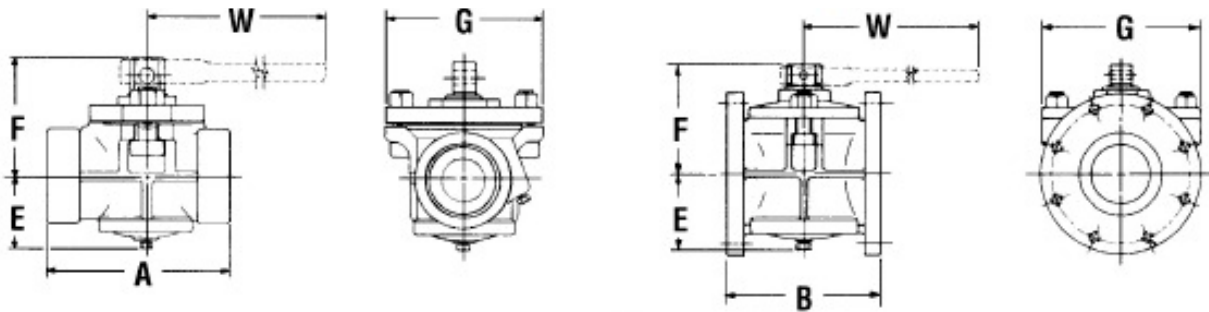


# TRIPLE DUTY VALVES

## SUBMITTAL DATA



Model Number	Nominal Pipe Size	End-to-End, Threaded (A)	Face-to-Face, Flanged (B)	Center of port to top of valve (E)	Center of port to top of valve (F)	Wrench Extension (W)	Extreme width of body (G)	Weight (approx.) lb., Flanged
TDV-1½	1½	6 ¾	7	2 ½	4 5/16	14	5	19
TDV-2	2	6 ¾	7	2 ½	4 5/16	14	5	19
TDV-2½	2½	8 ¼	8	2 ¾	5 ¾	16 ¼	6 ¾	40
TDV-3	3	8 ¼	8	2 ¾	5 ¾	16 ¼	6 ¾	42
TDV-4	4	9 ¾	9	3 ¼	6 ¾	16 ¼	6 ¾	64
TDV-5	5	-	10	3 ¾	6 ¾	16 ¼	6 ¾	95
TDV-6	6	-	10 ½	5	7 7/8	33 ½	10 ¾	122
TDV-8	8	-	11 ½	5 ¾	7 7/8	31 1/16	9	165
TDV-10	10	-	16	7 ½	9 7/8	33 1/16	10 9/16	270
TDV-12	12	-	19	9 5/16	11 ¾	31 1/16	13 ¾	385

Dimensions are subject to change

### BILL OF MATERIALS

Description	Qty	Material
Body	1	Ductile Iron (60-40-18)*
Metering connector	2	Brass
Clapper seal	1	Buna
Clapper	1	304 Stainless Steel*
Spring	1	Stainless Steel
Clapper pin	1	Stainless Steel
Pipe plug	1	Steel
Plug	1	DI (60-40-18) ENP (2 mil)*
Cover	1	Ductile Iron (60-40-18)*
O-ring	2	Buna
O-ring	1	Buna
Cover stud	4	Steel
Nut	4	Steel
Memory stop ring	1	Steel
Set screw	1	Steel
Indication ring	1	Steel*

\*For sizes 1½ - 2½, note the following changes in material:

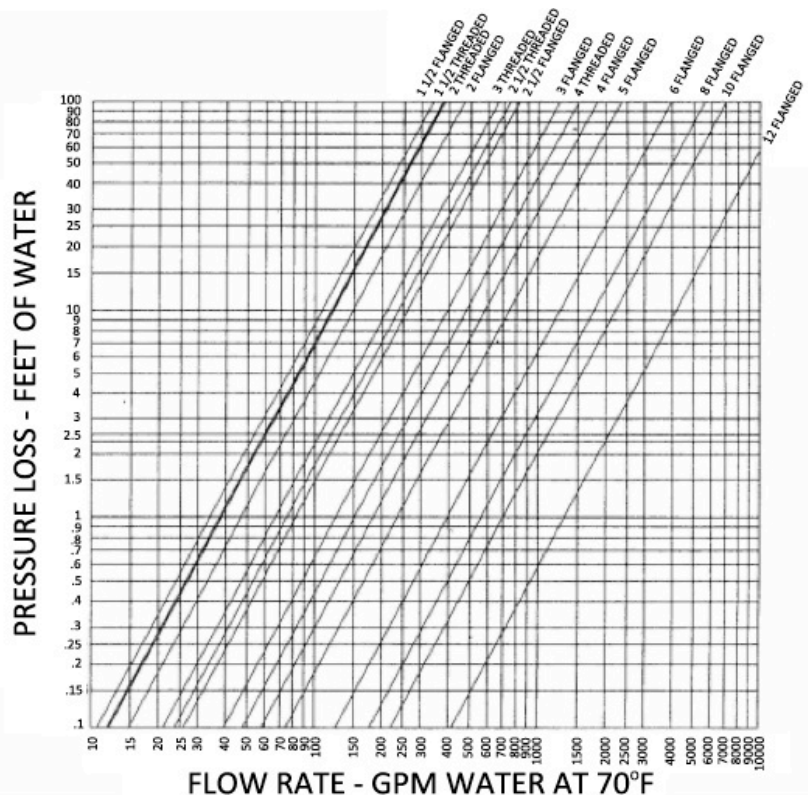
Body: CI ASTM A126/DI A536

Clapper: Cast Iron

Plug: CI ASTM A126/DI A536

Cover: CI ASTM A126/DI A536

Indication ring: Composite



**SPECIFY WITH CONFIDENCE, SPECIFY PENN PUMP SYSTEMS**